

HWD

series

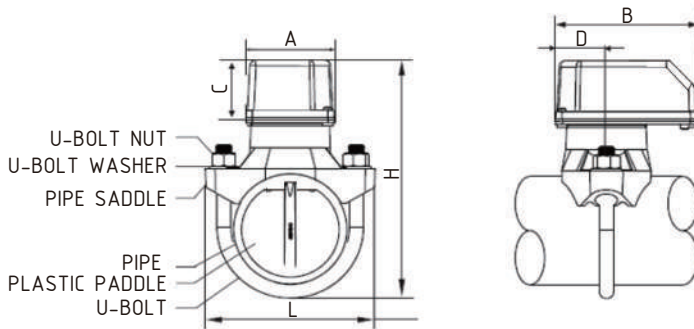
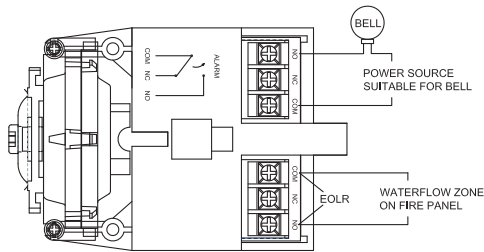


Waterflow Detector with Retard – U Bolted

- Service Pressure: Up to 300PSI
- Flow Sensitivity Range for Signal: 4-10GPM (15.0-37.5L/min)
- Maximum Surge: 18FPS (5.5m/s)
- Contact Ratings: Two sets of SPDT
 - 10.1Amps at 125/250 VAC
 - 2.0Amps at 24 VDC
- Operating Temperature Range: 40° F to 120°F (4.5°C to 49°C)
- Enclosure Rating: NEMA 4- suitable for indoor/outdoor use
- Conduit Entrances: Two opening for 1/2" conduit
 - One open, one knock-out type
- Compatible Pipe: Steel water pipe, schedule 10 through 40
- Service Use: Automatic Sprinkler: NFPA-13
- One or Two Family Dwelling: NFPA-13D
- Residential Occupancies up to 4 stories: NFPA-13R
- National Fire Alarm Code: NFPA-72
- Warranty: 3 Years



HWD



| ITEM | PARTS | MATERIAL |
|------|----------------|----------------|
| 1 | SADDLE | ALUMINUM ADC12 |
| 2 | PLATE | ALUMINUM ADC12 |
| 3 | COVER | PLASTIC |
| 4 | PADDLE | PLASTIC |
| 5 | MICROSWITCH | PLASTIC |
| 6 | GASKET | EPDM |
| 7 | RETARD DEVICE | PLASTIC |
| 8 | TERMINAL BLOCK | PLASTIC |

| SIZES | | DIMENSIONS (MM) | | | | | | |
|-------|--------|-----------------|-------|-------|--------|-------|-------|------------|
| Inch | mm | L | H | A | B | C | D | WEIGHT(KG) |
| 2" | DN 50 | 94.5 | 165.8 | 95.25 | 146.56 | 55.88 | 72.39 | 1.35 |
| 2.5" | DN 65 | 109.5 | 180.8 | 95.25 | 146.56 | 55.88 | 72.39 | 1.35 |
| 3" | DN 80 | 134 | 195.8 | 95.25 | 146.56 | 55.88 | 72.39 | 1.4 |
| 4" | DN 100 | 154 | 215.8 | 95.25 | 146.56 | 55.88 | 72.39 | 1.45 |
| 6" | DN 150 | 204 | 265.8 | 95.25 | 146.56 | 55.88 | 72.39 | 1.85 |
| 8" | DN 200 | 254 | 315.8 | 95.25 | 146.56 | 55.88 | 72.39 | 2.42 |